

GVA Ball Valves

GVA BALL VALVES - LOCKABLE

Suitable for industrial & Domestic use for pneumatics, hot water, potable water, LPG, natural gas and compressed air (not suitable for steam).

VALVE SPECIFICATION:

Minimum and maximum working temperatures:

Air	15 to 90°C
Gas	15 to 60°C
Water	0 to 90°C
Models	BV10L to BV100L
AGA approved to	AG201 Approval No 6515
Watermark approval to	MP52 Spec 012 Approval No. 020042
Size range	3/8" (10mm) to 4" (100mm)
Pressure rating	2500kPa
Mounting Positions	All
End connections	Female Rp 3/8" to 4"

BV10L - BV100L

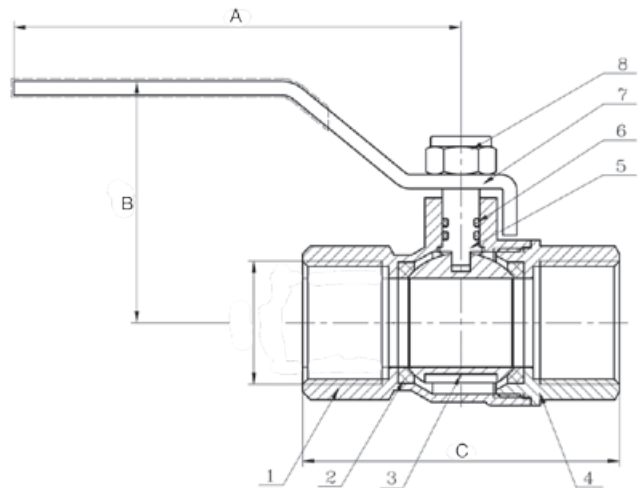


WaterMark
ATS 5200.012
LIC NO 020042



AGA NO 6515

ITEM	DESCRIPTION	MATERIAL
1	BODY	DR BRASS
2	SEAT	PTFE
3	BALL 10-25MM	CP DR BRASS
3	BALL 32-100MM	304 STAINLESS STEEL
4	BONNET	DR BRASS
5	SPINDLE	DR BRASS
6	O RING	NITRILE
7	HANDLE	304 STAINLES STEEL
8	NUT	304 STAINLES STEEL



BV10L - BV100L

	10MM	15MM	20MM	25MM	32MM	40MM	50MM	65MM	80MM	100MM
A	77	96	96	110	133	133	145	162	162	205
B	37	49	52	59	63	69	82	100	111	140
C	49	60	68	80	95	102	119	148	166	210

AVG

Australian Valve Group

Australian Valve Group (Head Office)
Unit 2, 9-11 Noble St, Kewdale, Perth, Western Australia 6105
Fax: +61 8 9353 2689 Tel: 1800 AVG AUS (284 287)

FOR MORE INFORMATION VISIT OUR WEBSITE AT WWW.AVG.NET.AU